

Model KCF Reclamation and Inhibition Plant will be used for the reclamation and DBPC inhibition of aged insulating oils.

## RECLAMATION

Reclamation of aged oil in Transformer eliminates much maintenance due to damage caused by deterioration oils and solid abrasive particles suspended in oil.

When deterioration oils are present, use of absorbent Fuller's Earth completely purifies the oil.

Opening cover, a Fuller's Earth Tank with the swing supporter facilitates easy disposal of used Fuller's Earth.

## INHIBITION

The oil enters the bottom of the DBPC tank, passing upward through the Ejector at where DBPC will be sucked from the DBPC tank. Simultaneously, a small percentage of DBPC is admixed with the oil through the Ejector.

OUTSIDE VIEW OF  
MODEL KCF-100I2



COVERED  
MODEL KCF-100I2



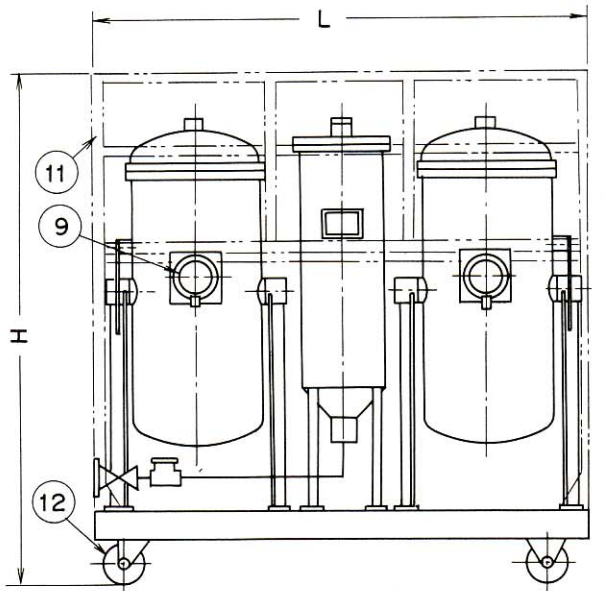
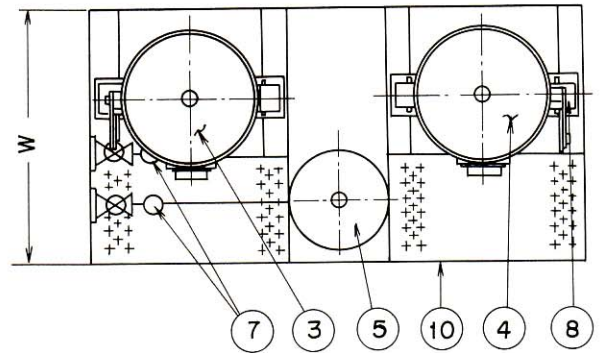
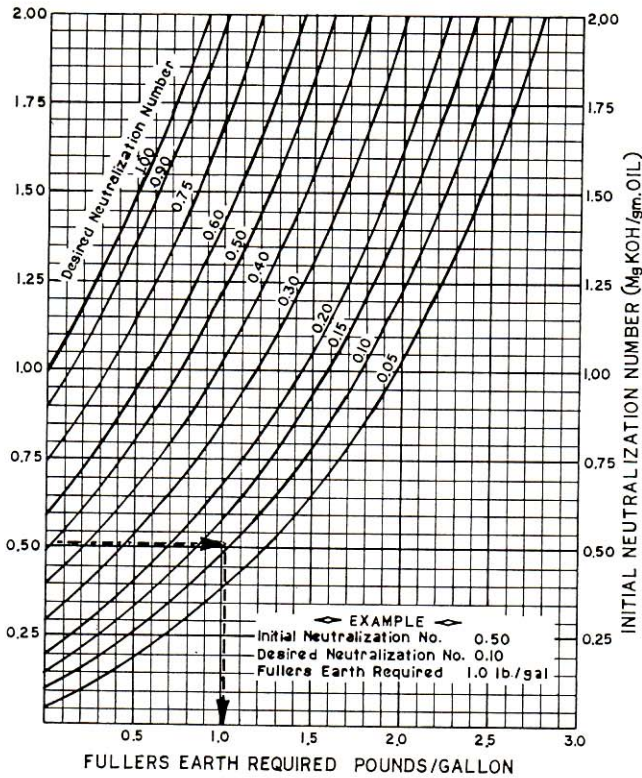
# OIL RECLAMATION AND INHIBITION PLANT FOR INSULATING OIL

## MODEL KCF-100I2, 200I2/MODEL KCF-100X2, 200X2

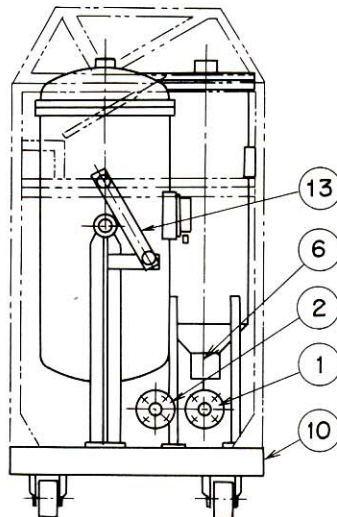
### SPECIFICATIONS & DRAWING

MODEL	FULLER'S EARTH KG	CONN- ECTION in	DIMENSION mm			WEIGHT KG
			L	W	H	
KCF-100I2	100	3/4	2100	1100	1950	750
KCF-200I2	200	1	2500	1400	2000	1200
KCF-100X2	100	3/4	1600	800	1950	600
KCF-200X2	200	1	2000	1100	2000	1000

NOTE: 1) MODEL KCF-100X2, 200X2 IS NOT PROVIDE DBC TANK.  
 2) SPECIFICATION MAY CHANGE WITHOUT ANY NOTICE.



- ① OIL INLET
- ② OIL OUTLET
- ③ 1st FULLER'S EARTH TANK
- ④ 2nd FULLER'S EARTH TANK
- ⑤ DBPC INHIBITING TANK
- ⑥ EJECTOR
- ⑦ FLOW SIGHT
- ⑧ SWING SUPPORTER
- ⑨ PRESSURE GAUGE
- ⑩ BASE
- ⑪ COVER FRAME
- ⑫ CASTOR WHEEL
- ⑬ SWING HOLDER



AGENT

**KATO ELECTRIC MFG. CO., LTD.**

203, 17-19, EBARA 2-CHOME, SHINAGAWA-KU,  
 TOKYO, JAPAN TLX: 246-6049 KATOF L J  
 PHONE: 03-3783-5761 FAX: 03-3784-6309